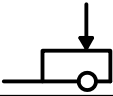

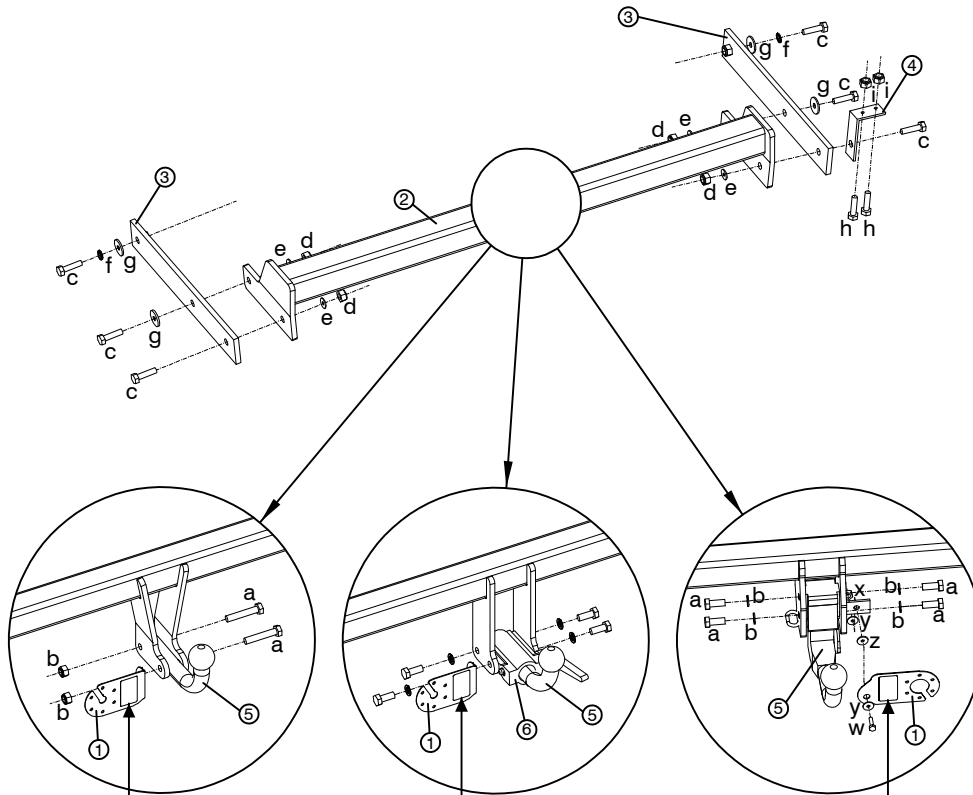



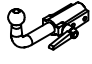

VOLKSWAGEN GOLF VIII  
SEAT LEÓN / SEAT LEÓN ST

|   |   |   |   |   |         |
|---|---|---|---|---|---------|
| C |  | S |  | D |         |
|   | 2.000 kg.   |   | 80 kg.  |   | 9,73 kN |



ECE R55  
homologación



| ELEMENTOS DE UNIÓN / CONNECTION COMPONENTS<br>DAZUGEHÖRENDENDEN TEILEN / ÉLÉMENTS DE RACCORD |                         |   |                        |
|--|-------------------------|---|------------------------|
| BOLA / BALL / KUGEL / BOULE  |                         | VEHÍCULO / VEHICLE<br>FAHRZEUG / VÉHICULE |                        |
|           |                         | c   | 6 x M12x50 DIN 933 8.8 |
| a  | 2 x M12x65 DIN 931 8.8  | d   | 4 x M12 DIN 985 8      |
| b  | 2 x M12 DIN 985 8       | e   | 4 x M12 DIN 125 -      |
|           |                         | f   | 2 x M12 DIN 6798 -     |
| a  | 4 x M12x25 DIN 933 8.8  | g   | 4 x M12 DIN 9021 -     |
| b  | 4 x M12 DIN 125 -       | h   | 2 x M6x16 DIN 6921 8.8 |
|           |                         | i   | 2 x M6 DIN 6923 8      |
| a  | 4 x M12x 25 DIN 933 8.8 | w   | 1 x M10x30 DIN 933 8.8 |
| b  | 4 x M12 DIN 127 -       | x   | 1 x M10 DIN 985 8      |
|  |                         | y   | 2 x M10 DIN 125 -      |
|  |                         | z   | 1 x M10 DIN 2093 -     |

Par de apriete para los tornillos/Tightening torque for bolts/Schrauben Drehmoment/Couple de serrage pour vis

| Und.Nm  | M6   | M8   | M10  |      | M12   |       | M14   |       | M16   |       |
|---------|------|------|------|------|-------|-------|-------|-------|-------|-------|
| calidad | 1    | 1,25 | 1,5  | 1,25 | 1,75  | 1,5   | 1,25  | 1,75  | 1,5   | 2     |
| 8.8     | 11,3 | 27,3 | 54,0 | 57,0 | 93,0  | 97,0  | 101,0 | 148,0 | 159,0 | 230,0 |
| 10.9    | 16,5 | 40,1 | 79,0 | 83,0 | 137,0 | 143,0 | 149,0 | 218,0 | 234,0 | 320,0 |
| 12.9    | 19,3 | 46,9 | 93,0 | 98,0 | 160,0 | 167,0 | 174,0 | 255,0 | 274,0 | 395,0 |

Este documento debe ser presentado en la I.T.V. junto con el certificado de montaje.

HERMANOS SÁNCHEZ-LAFUENTE, S.A. no asume ningún tipo de responsabilidad por daños causados por usos inadecuados.

Nº Rev: 00 Aprobado: 05-12-2020

Made by LAFUENTE (SPAIN)  
TEL: (+34) 952 525 840  
www.lafuente.eu

**Eg** 55R -01 2443

TIPO EE0570 D 9,73 kN  
CLASE A-50X S 80 kg

E9\*55R01/08\*2443\*01

Made by LAFUENTE (SPAIN)  
TEL: (+34) 952 525 840  
www.lafuente.eu

**Eg** 55R -01 2444

TIPO EE1570 D 9,73 kN  
CLASE A-50X S 80 kg

E9\*55R01/08\*2444\*01

Made by LAFUENTE (SPAIN)  
TEL: (+34) 952 525 840  
www.lafuente.eu

**Eg** 55R -01 2445

TIPO EE4570 D 9,73 kN  
CLASE A-50X S 80 kg

E9\*55R01/08\*2445\*01

Comprobar en el Certificado de Conformidad (COC) del vehículo las capacidades máximas de arrastre y carga vertical.

See the Certificate Of Conformity (COC) of your vehicle or contact your dealer to verify the max. trailer weight of your car!



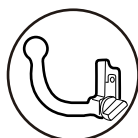
# VOLKSWAGEN GOLF VIII SEAT LEÓN / SEAT LEÓN ST



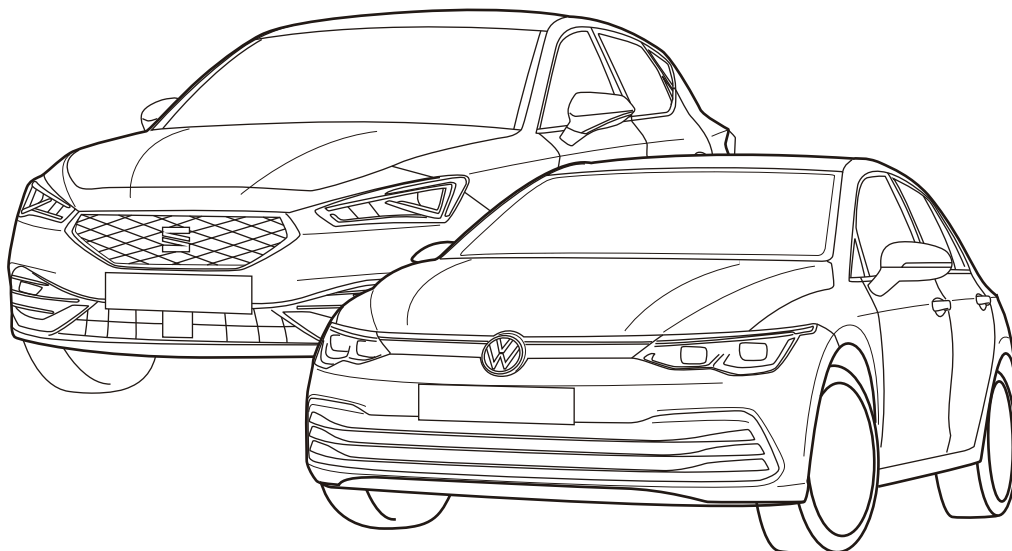
EE0570



EE1570

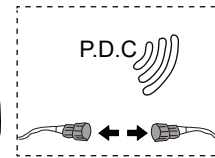
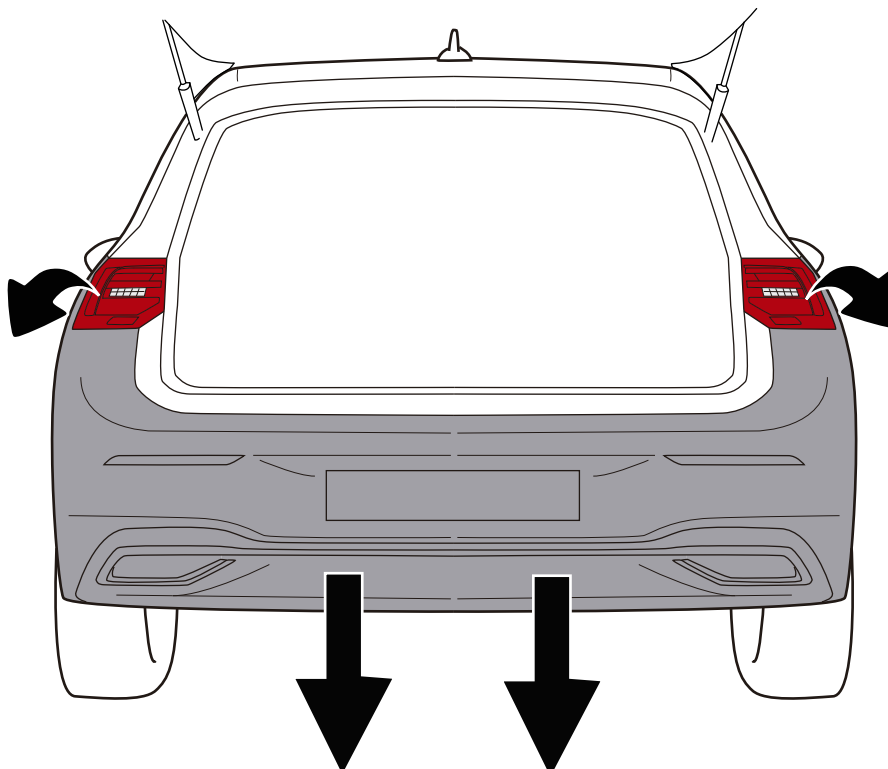
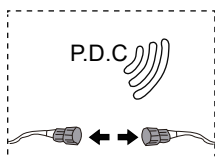


EE4570

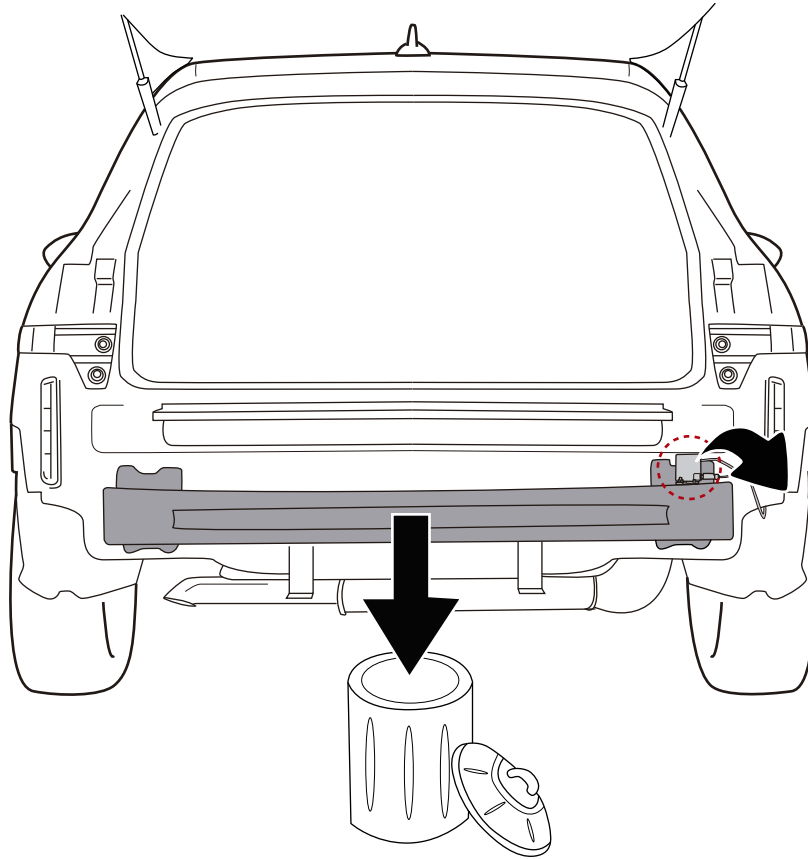


Instrucciones de montaje - Installation instructions - Notice de montage - Montage- og driftsvejledning

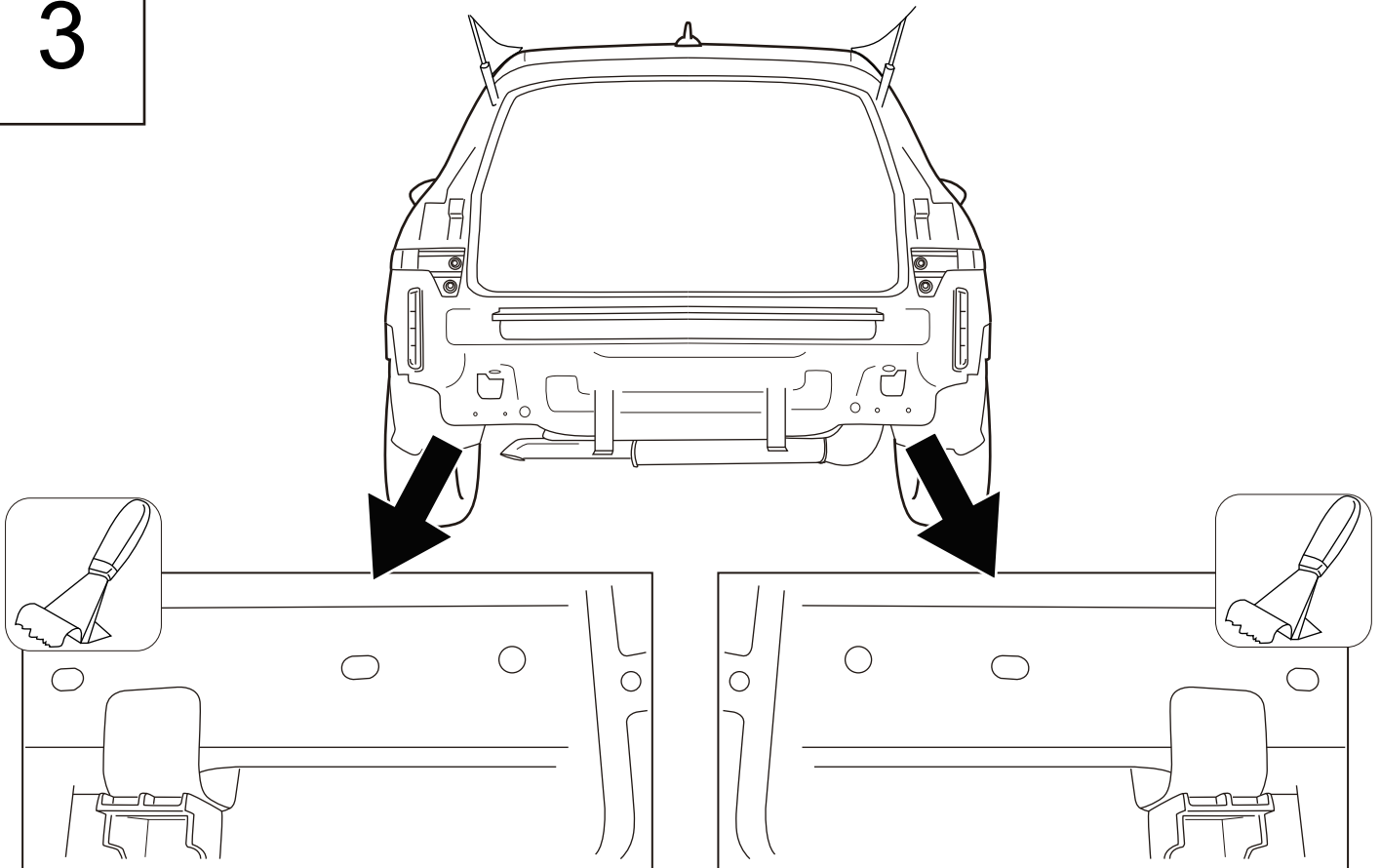
1



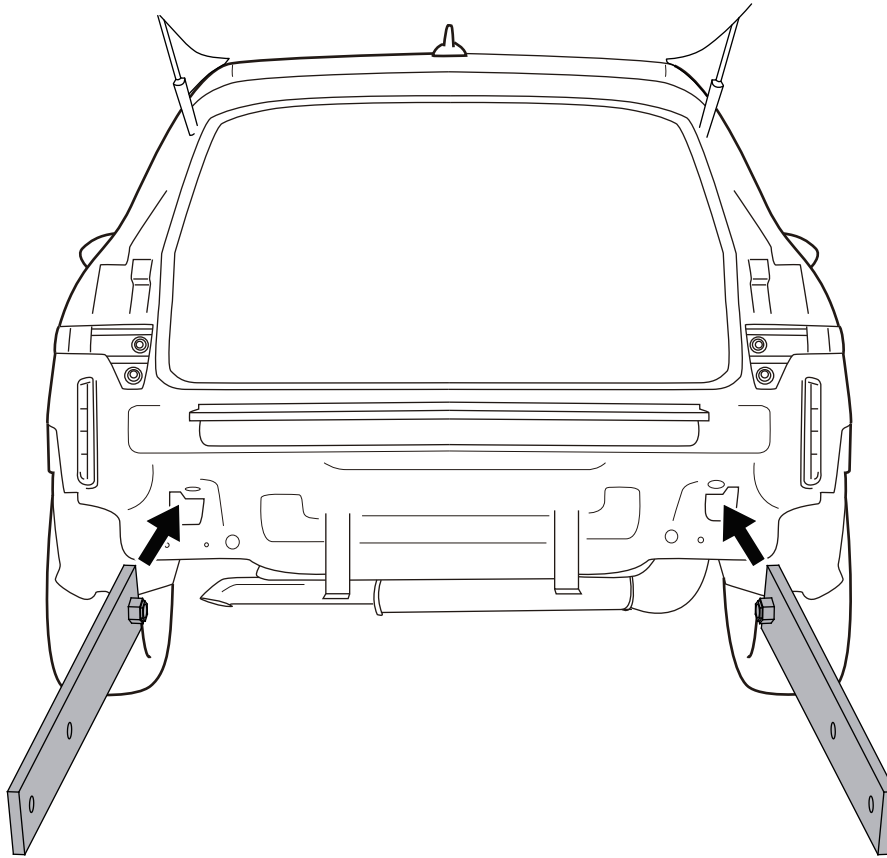
2



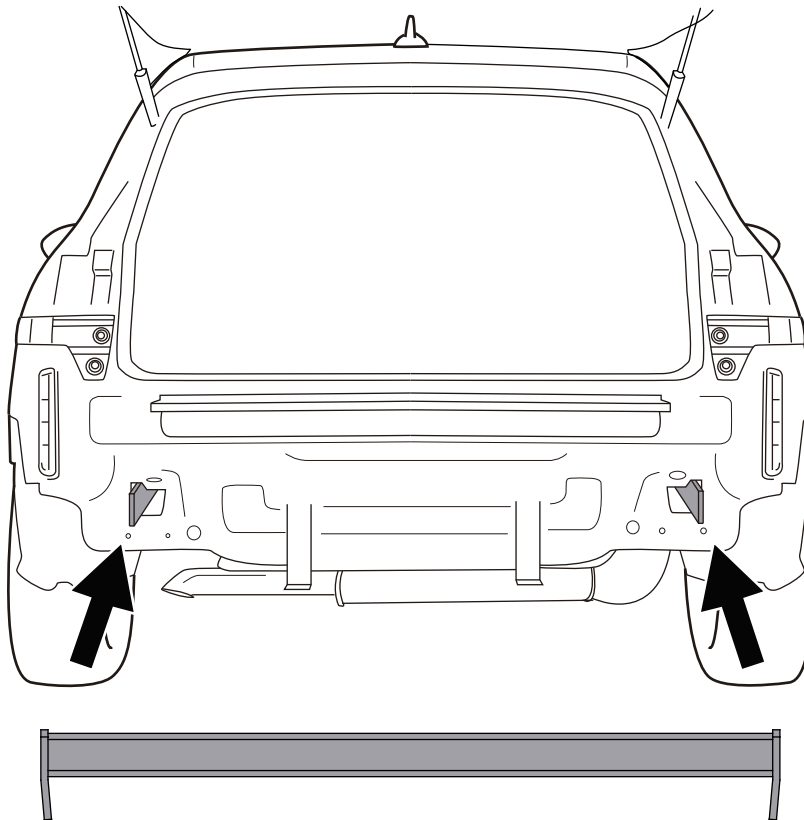
3



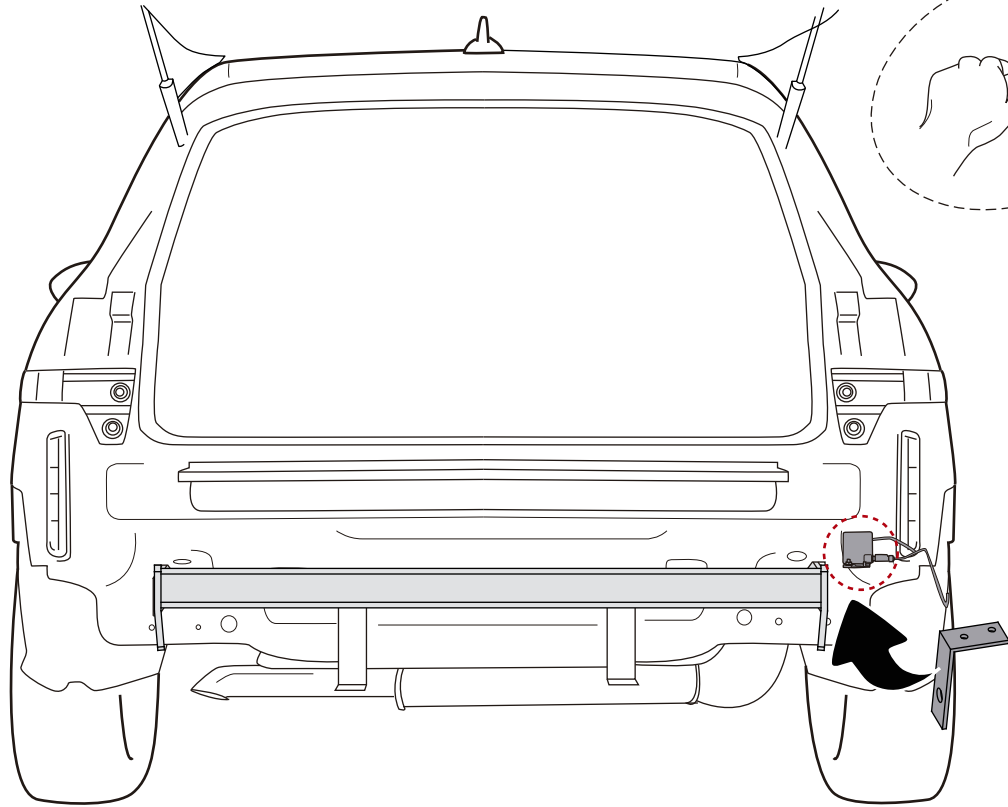
4



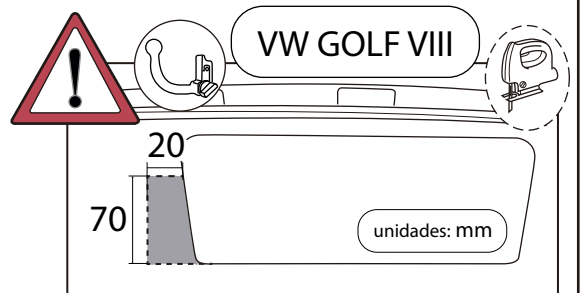
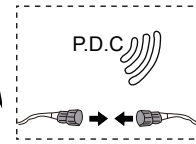
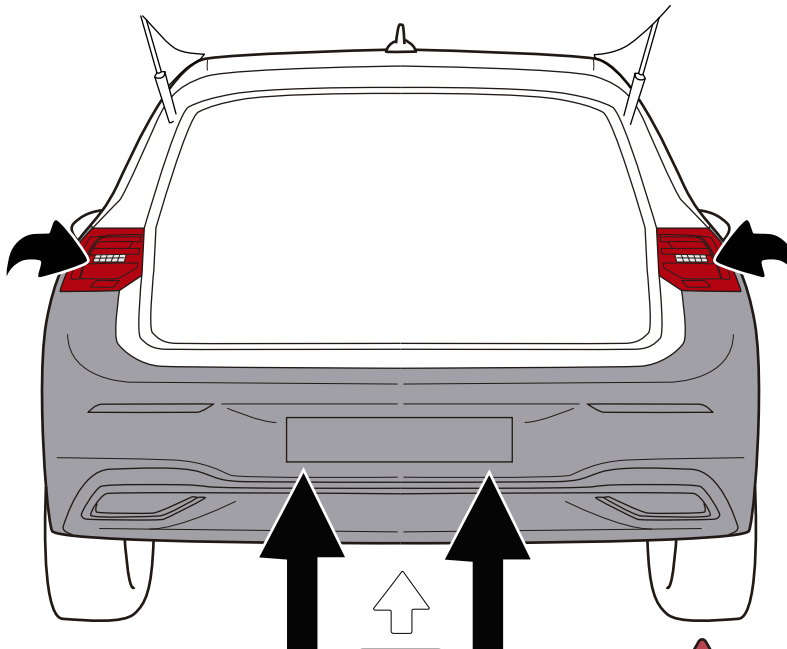
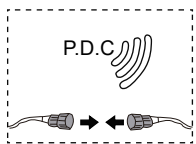
5

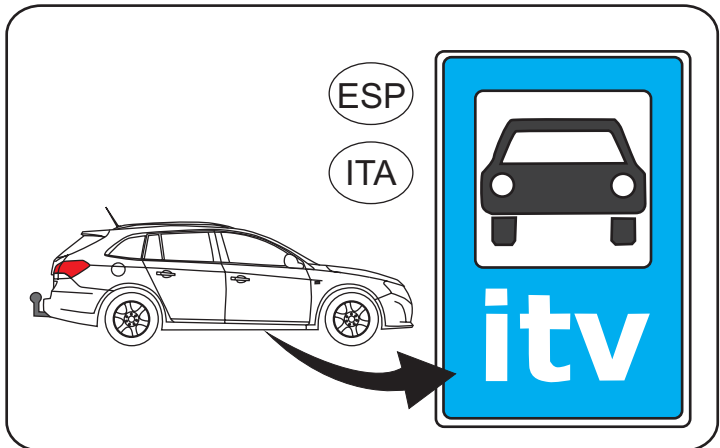
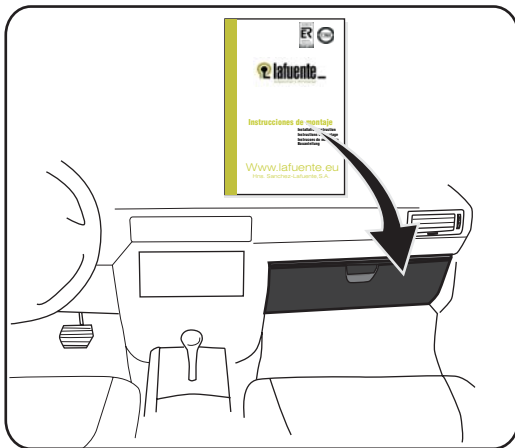
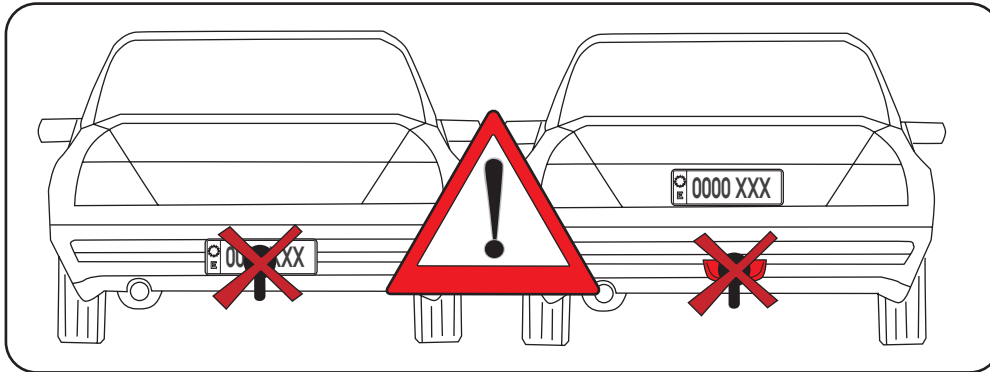
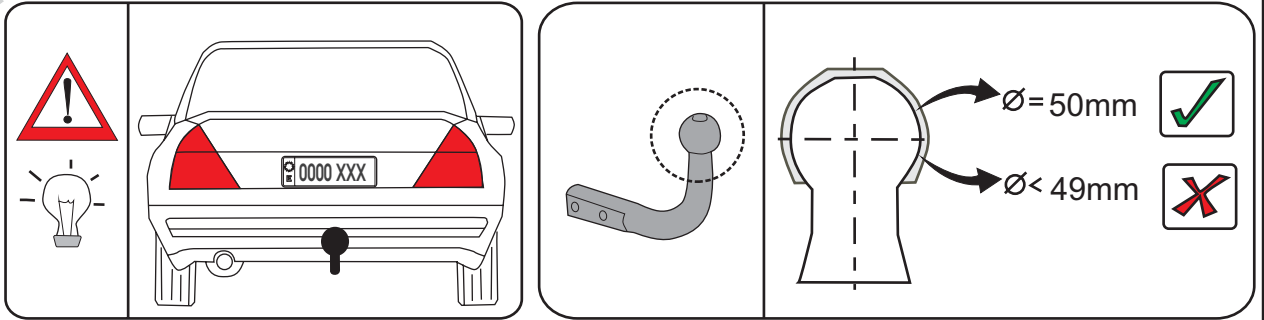
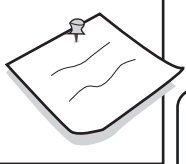


4



5





|      | M6     | M8     | M10    | M12     | M14     | M16     |
|------|--------|--------|--------|---------|---------|---------|
| 8.8  | 10,4Nm | 25,0Nm | 51,0Nm | 87,0Nm  | 140,0Nm | 215,0Nm |
| 10.9 | 15,5Nm | 37,0Nm | 75,0Nm | 130,0Nm | 205,0Nm | 310,0Nm |
| 12.9 | 18,0Nm | 43,0Nm | 87,0Nm | 150,0Nm | 240,0Nm | 370,0Nm |